

# Intelligent Standing Pole-mounted Measuring Instrument

## Quick Guide

V1.01

# Contents

<b>1. Packing List .....</b>	<b>1</b>
<b>2. Product Overview .....</b>	<b>1</b>
2.1 Appearance and Dimensions .....	1
2.2 Structure and Cable .....	3
<b>3. Device Installation .....</b>	<b>3</b>
3.1 Tools Preparation .....	3
3.2 Installation.....	4
3.2.1 Ground Installation.....	4
3.2.2 Base Plate Installation .....	8
<b>4. Device Operation .....</b>	<b>8</b>
4.1 Device Startup .....	8
4.2 Device Working .....	8
4.2.1 Not Measuring Temperature .....	8
4.2.2 Measuring Temperature .....	9
4.3 Device Activation.....	10
4.3.1 Basic Info .....	10
4.3.2 Network Setting .....	11
4.3.3 Activation Password .....	13
4.3.4 Authentication Scene .....	14
<b>Disclaimer and Safety Warnings.....</b>	<b>16</b>

# 1. Packing List

No.	Name	Qty	Unit
1	Intelligent measuring instrument	1	PCS
2	Pole base	1	PCS
3	Extension pole	2	PCS
4	Expansion bolt	3	PCS
5	Power adapter	1	PCS
6	Power cable	1	PCS

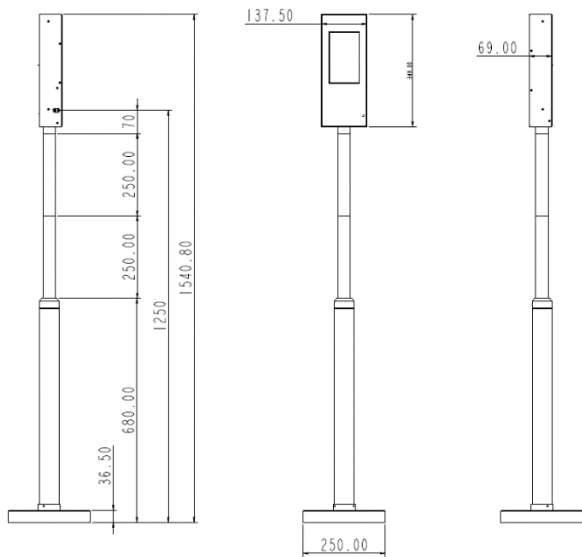
Note: The accessories may vary with device model and version.

# 2. Product Overview

OTC-513 is a non-contact thermometer that measures body temperature on the wrist. It provides abnormal temperature alarm and counting features and is mounted on a pole with adjustable heights. OTC-513 can be widely applied in schools, office buildings, communities, subway stations, airports, etc.

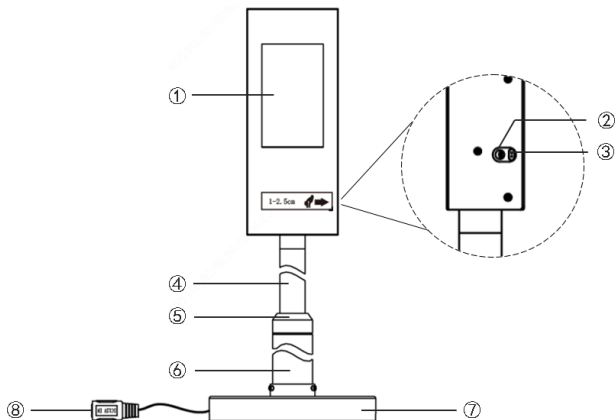
## 2.1 Appearance and Dimensions

See the actual device for appearance. The figure below shows device dimensions. (Unit: mm)



## 2.2 Structure and Cable

The figure below shows the structure and cable of the device. The actual device may vary.



1. Display screen	2. Temperature measurement module
3. Distance measurement module	4. Extension pole
5. Adapter	6. Pole base
7. Round base plate	8. DC 12V power cable

## 3. Device Installation

### 3.1 Tools Preparation

- Antistatic wrist strap or antistatic gloves
- Marker
- Electric drill
- 14mm wrench

## 3.2 Installation

You may choose ground installation or base plate installation. The steps are as follows.

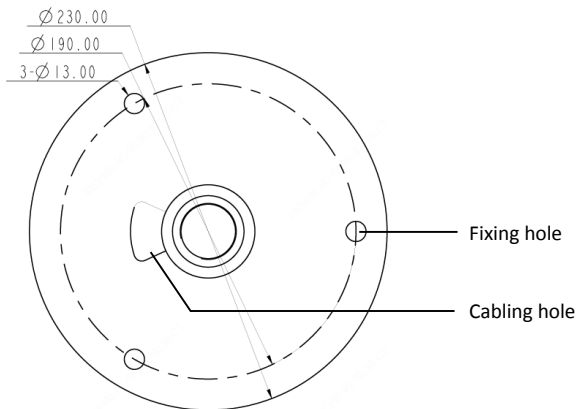


### NOTE!

For long-term use at a fixed location, ground installation should be adopted.

### 3.2.1 Ground Installation

1. Mark the positions of holes on the ground by referring to the following figure.



2. Use the electric drill to drill holes according to the marked positions.
3. Turn the extension pole clockwise to connect it to the pole base.



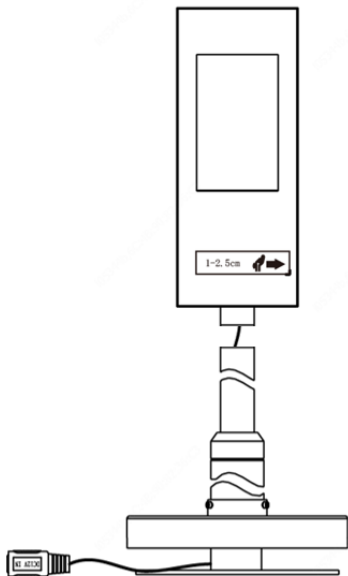
---

**NOTE!**

You may choose to install 1, 2 or no extension pole based on your needs. After installation, the distance between the temperature measurement module and the ground will be 1m if one extension pole is used, 1.25m if two extension poles are used, and 0.75m if no extension pole is used.

---

4. Lead the cable through the standing pole and out through the cabling hole on the pole base.

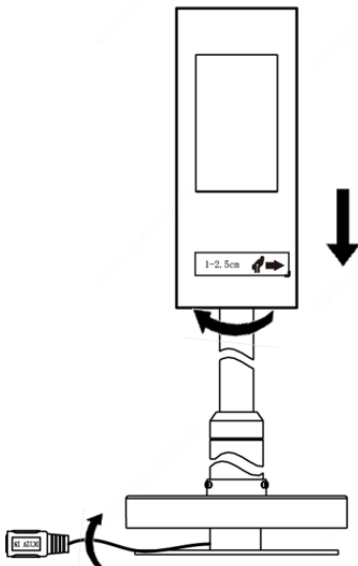


**WARNING!**

Do not hold the tail cable by hand for weight bearing. Otherwise, the cables may be loosened.

---

5. Turn the measuring instrument clockwise to connect it to the standing pole.

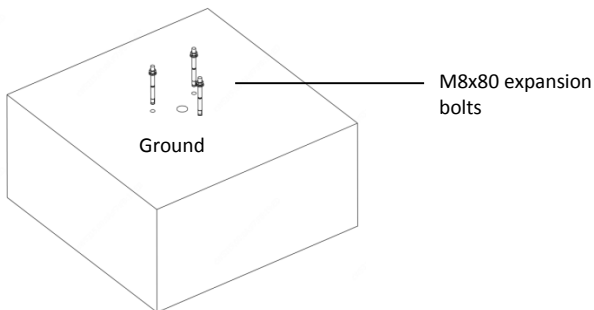
**WARNING!**

When turning the measuring instrument, make sure the cable at the pole base is not pressed, and the cable inside the standing pole rotates with the instrument correspondingly. Otherwise, the cabling inside the measuring instrument may be loosened, and device functions may be affected.

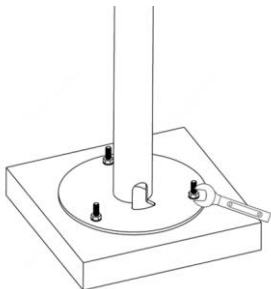
---



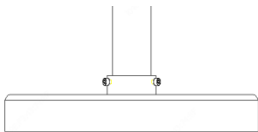
6. Insert M8X80 expansion bolts into the three fixing holes on the ground, and make sure that the expansion bolts are a bit higher than the ground.



7. Erect the standing pole, align the hole position at pole bottom with the expansion bolts fixed on the ground, adjust the standing pole so that it's perpendicular to the ground, adjust device direction, and then fasten the standing pole with nuts.



8. Lead the tail cable out through the hole on the round base plate.
9. Refer to the figure below to fasten the base plate with screws.



### 3.2.2 Base Plate Installation

1. Connect the measuring instrument, extension pole, and pole base by referring to the Step 3 to Step 5 in Ground Installation.
2. Fasten the base plate with screws by referring to Step 9 in Ground Installation.

## 4. Device Operation

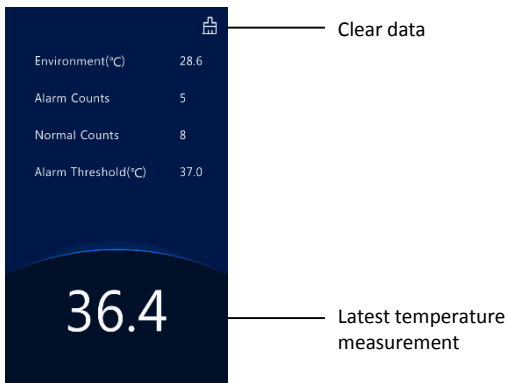
### 4.1 Device Startup

After installation is completed, connect the supplied power cable to power via a power adapter to start up the device. The device starts up successfully when the display screen lights up.

### 4.2 Device Working

#### 4.2.1 Not Measuring Temperature

When the device is not measuring temperature, environment temperature, the number of alarms and normal temperatures measured are displayed on the screen.



#### 4.2.2 Measuring Temperature

To take a temperature, place your wrist 1cm -2.5cm to the temperature measurement module. The screen displays as follows.



Normal temperature



Abnormal temperature

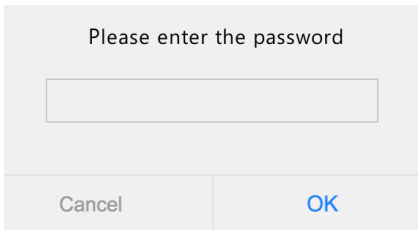
## 4.3 Device Activation

Long press the display screen. In the displayed password input interface, enter the password (the default is admin) to go to the **Activation Config** interface.

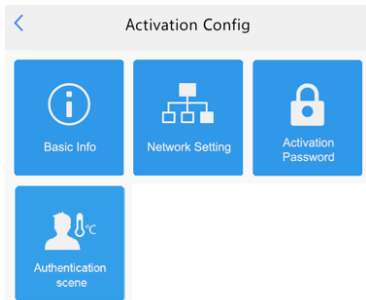


### NOTE!

The default activation password is intended for initial use. Please enter the new activation password if it has been changed.

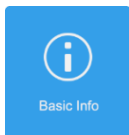


On the **Activation Config** interface, you can view device basic information, configure network, and change password.



### 4.3.1 Basic Info

View device status in real time, so that you can maintain the device better.



Click **Basic Info** in **Activation Config** interface to enter **Basic Info**.

Basic Info	
Model	OTC-513
Firmware Version	P20HLOK0HAF11_0HAF11_0H07
Hardware Version	A
Boot Version	V1.2
Serial No.	210235C3VC4821600063
Network	20-H-A-1-000/20-H-001-001-0000-A-1.1
MAC Address	48-9E-8B-0A-07-0E
System Time	2019/9/27 17:09:18
Operation Time	0Day(s)0Hour(s)53Minute(s)
Management Server	Offline(0.0.0.0:5060)
Edge Storage	Normal

### 4.3.2 Network Setting



1. Click **Network Setting** in **Activation Config** interface.

Network Setting

IP Address 204.4.1.249

Subnet Mask 255.255.255.0

Default Gateway 204.4.1.1

Save

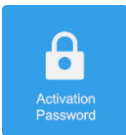
2. Set network parameters by referring to the table below.

Parameter	Description
IP Address	Enter the IP address of the device. The IP address of the device must be unique across the network.
Subnet Mask	Enter the subnet mask of the device.
Default Gateway	Enter the default gateway of the device.

3. Click **Save**.

### 4.3.3 Activation Password

The default activation password is admin. Follow the steps below to change the activation password.



1. Click **Activation Password** in **Activation Config** interface.

A screenshot of a web interface titled "Activation Password". At the top left is a back arrow. Below the title are three input fields: "Old password", "New password", and "Confirm". Below the "Old password" field is a tip: "Tips: Please enter an 8-character password. At least two from the following are required: uppercase letter(A-Z), lowercase letter(a-z), digit(0-9), underscore(\_) and hyphen(-)." At the bottom of the form is a blue "Save" button.

2. Enter the old password, new password, and confirm the new password as required.

**NOTE!**

- The password should be at least 8 characters including two elements of the following four: uppercase letters, lowercase letters, digits, and underscores and hyphens.
  - The **Confirm** field must be consistent with the **New Password** field.
- 

3. Click **Save**.

#### 4.3.4 Authentication Scene

Configure temperature measurement range and temperature alarm threshold.



1. Click in **Activation Config** interface.



< Authentication scene

Temperature Range 35.5 °C ~ 42.0 °C

Temperature Alarm Threshold 37.3 °C

Tip: Exceeding the alarm threshold is abnormal high temperature.

Save

2. The table below shows details.

Parameter	Description
Temperature range	Valid range: 30-45. Default range:35.5-42. Configure the range based on actual application scenes.
Temperature alarm threshold	When the temperature measurement module detects a temperature higher than the threshold, the abnormal temperature alarm is displayed on the GUI and the corresponding warning is sounded. Valid range: 30-45. Default: 37.3.

3. Click **Save**.

# Disclaimer and Safety Warnings

## Copyright Statement

©2020 Zhejiang Uniview Technologies Co., Ltd. All rights reserved.

No part of this manual may be copied, reproduced, translated or distributed in any form by any means without prior content in writing from Zhejiang Uniview Technologies Co., Ltd (referred to as Uniview or us hereafter).

The product described in this manual may contain proprietary software owned by Uniview and its possible licensors. Unless permitted by Uniview and its licensors, no one is allowed to copy, distribute, modify, abstract, decompile, disassemble, decrypt, reverse engineer, rent, transfer, or sublicense the software in any form by any means.

## Trademark Acknowledgements

 are trademarks or registered trademarks of Uniview.

All other trademarks, products, services and companies in this manual or the product described in this manual are the property of their respective owners.

## Export Compliance Statement

Uniview complies with applicable export control laws and regulations worldwide, including that of the People's Republic of China and the United States, and abides by relevant regulations relating to the export, re-export and transfer of hardware, software and technology. Regarding the product described in this manual, Uniview asks you to fully understand and strictly abide by the applicable export laws and regulations worldwide.

## Privacy Protection Reminder

Uniview complies with appropriate privacy protection laws and is committed to protecting user privacy. You may want to read our full privacy policy at our website and get to know the ways we process your personal information. Please be aware, using the product described in this manual may involve the collection of personal information such as face, fingerprint, license plate number, email, phone number, GPS. Please abide by your local laws and regulations while using the product.

## About This Manual

- This manual is intended for multiple product models, and the photos, illustrations, descriptions, etc, in this manual may be different from the actual appearances, functions, features, etc, of the product.
- This manual is intended for multiple software versions, and the illustrations and descriptions in this manual may be different from the actual GUI and functions of the software.
- Despite our best efforts, technical or typographical errors may exist in this manual. Uniview cannot be held responsible for any such errors and reserves the right to change the manual without prior notice.
- Users are fully responsible for the damages and losses that arise due to improper operation.

- Uniview reserves the right to change any information in this manual without any prior notice or indication. Due to such reasons as product version upgrade or regulatory requirement of relevant regions, this manual will be periodically updated.

## Disclaimer of Liability

- To the extent allowed by applicable law, in no event will Uniview be liable for any special, incidental, indirect, consequential damages, nor for any loss of profits, data, and documents.
- The product described in this manual is provided on an "as is" basis. Unless required by applicable law, this manual is only for informational purpose, and all statements, information, and recommendations in this manual are presented without warranty of any kind, expressed or implied, including, but not limited to, merchantability, satisfaction with quality, fitness for a particular purpose, and noninfringement.
- Users must assume total responsibility and all risks for connecting the product to the Internet, including, but not limited to, network attack, hacking, and virus. Uniview strongly recommends that users take all necessary measures to enhance the protection of network, device, data and personal information. Uniview disclaims any liability related thereto but will readily provide necessary security related support.
- To the extent not prohibited by applicable law, in no event will Uniview and its employees, licensors, subsidiary, affiliates be liable for results arising out of using or inability to use the product or service, including, not limited to, loss of profits and any other commercial damages or losses, loss of data, procurement of substitute goods or services; property damage, personal injury, business interruption, loss of business information, or any special, direct, indirect, incidental, consequential, pecuniary, coverage, exemplary, subsidiary losses, however caused and on any theory of liability, whether in contract, strict liability or tort (including negligence or otherwise) in any way out of the use of the product, even if Uniview has been advised of the possibility of such damages (other than as may be required by applicable law in cases involving personal injury, incidental or subsidiary damage).
- To the extent allowed by applicable law, in no event shall Uniview's total liability to you for all damages for the product described in this manual (other than as may be required by applicable law in cases involving personal injury) exceed the amount of money that you have paid for the product.

## Network Security

### **Please take all necessary measures to enhance network security for your device.**

The following are necessary measures for the network security of your device:

- **Change default password and set strong password:** You are strongly recommended to change the default password after your first login and set a strong password of at least nine characters including all three elements: digits, letters and special characters.
- **Keep firmware up to date:** It is recommended that your device is always upgraded to the latest version for the latest functions and better security. Visit Uniview's official website or contact your local dealer for the latest firmware.

### **The following are recommendations for enhancing network security of your device:**

- **Change password regularly:** Change your device password on a regular basis and keep the password safe. Make sure only the authorized user can log in to the device.
- **Enable HTTPS/SSL:** Use SSL certificate to encrypt HTTP communications and ensure data security.

- **Enable IP address filtering:** Allow access only from the specified IP addresses.
- **Minimum port mapping:** Configure your router or firewall to open a minimum set of ports to the WAN and keep only the necessary port mappings. Never set the device as the DMZ host or configure a full cone NAT.
- **Disable the automatic login and save password features:** If multiple users have access to your computer, it is recommended that you disable these features to prevent unauthorized access.
- **Choose username and password discretely:** Avoid using the username and password of your social media, bank, email account, etc, as the username and password of your device, in case your social media, bank and email account information is leaked.
- **Restrict user permissions:** If more than one user needs access to your system, make sure each user is granted only the necessary permissions.
- **Disable UPnP:** When UPnP is enabled, the router will automatically map internal ports, and the system will automatically forward port data, which results in the risks of data leakage. Therefore, it is recommended to disable UPnP if HTTP and TCP port mapping have been enabled manually on your router.
- **SNMP:** Disable SNMP if you do not use it. If you do use it, then SNMPv3 is recommended.
- **Multicast:** Multicast is intended to transmit video to multiple devices. If you do not use this function, it is recommended you disable multicast on your network.
- **Check logs:** Check your device logs regularly to detect unauthorized access or abnormal operations.
- **Physical protection:** Keep the device in a locked room or cabinet to prevent unauthorized physical access.
- **Isolate video surveillance network:** Isolating your video surveillance network with other service networks helps prevent unauthorized access to devices in your security system from other service networks.

### Learn More

You may also obtain security information under Security Response Center at Uniview's official website.

## Safety Warnings

The device must be installed, serviced and maintained by a trained professional with necessary safety knowledge and skills. Before you start using the device, please read through this guide carefully and make sure all applicable requirements are met to avoid danger and loss of property.

### Storage, Transportation, and Use

- Store or use the device in a proper environment that meets environmental requirements, including and not limited to, temperature, humidity, dust, corrosive gases, electromagnetic radiation, etc.
- Make sure the device is securely installed or placed on a flat surface to prevent falling.
- Unless otherwise specified, do not stack devices.
- Ensure good ventilation in the operating environment. Do not cover the vents on the device. Allow adequate space for ventilation.
- Protect the device from liquid of any kind.
- Make sure the power supply provides a stable voltage that meets the power requirements of the device. Make sure the power supply's output power exceeds the total maximum power of all the connected devices.

- Verify that the device is properly installed before connecting it to power.
- Do not remove the seal from the device body without consulting Uniview first. Do not attempt to service the product yourself. Contact a trained professional for maintenance.
- Always disconnect the device from power before attempting to move the device.
- Take proper waterproof measures in accordance with requirements before using the device outdoors.

#### **Power Requirements**

- Installation and use of the device must be in strict accordance with your local electrical safety regulations.
- Use a UL certified power supply that meets LPS requirements if an adapter is used.
- Use the recommended cordset (power cord) in accordance with the specified ratings.
- Only use the power adapter supplied with your device.
- Use a mains socket outlet with a protective earthing (grounding) connection.
- Ground your device properly if the device is intended to be grounded.

#### **Battery Use Caution**

- When battery is used, avoid:
  - High or low extreme temperatures during use, storage and transportation;
  - Extremely low air pressure, or low air pressure at high altitude.
  - Battery replacement.
- Use the battery properly. Improper use of the battery such as the following may cause risks of fire, explosion or leakage of flammable liquid or gas.
  - Replace battery with an incorrect type;
  - Dispose of a battery into fire or a hot oven, or mechanically crushing or cutting of a battery;
- Dispose the used battery according to your local regulations or the battery manufacturer's instructions.

#### **Avertissement de l'utilisation de la batterie**

- Lorsque utiliser la batterie, évitez:
  - Températures extrêmement élevées ou basses pendant l'utilisation, le stockage et le transport;
  - Pression d'air extrêmement basse, ou pression d'air basse à haute altitude.
  - Remplacement de la batterie.
- Utilisez la batterie correctement. Mauvaise utilisation de la batterie comme celles mentionnées ici, peut entraîner des risques d'incendie, d'explosion ou de fuite liquide de gaz inflammables.
  - Remplacer la batterie par un type incorrect;
  - Disposer d'une batterie dans le feu ou un four chaud, écraser mécaniquement ou couper la batterie;
- Disposez la batterie utilisée conformément à vos règlements locaux ou aux instructions du fabricant de la batterie.

## **Regulatory Compliance**

#### **FCC Statements**

This device complies with Part 15 of the FCC Rules. Operation is subject to the following two conditions: (1) this device may not cause harmful interference, and (2) this device must accept any interference received, including interference that may cause undesired operation.

Compliance Information Statement refer to:

[http://en.uniview.com/Support/Download\\_Center/Product\\_Installation/Declaration/](http://en.uniview.com/Support/Download_Center/Product_Installation/Declaration/)

**Caution:** The user is cautioned that changes or modifications not expressly approved by the party responsible for compliance could void the user's authority to operate the equipment.

**NOTE:** This equipment has been tested and found to comply with the limits for a Class A digital device, pursuant to part 15 of the FCC Rules. These limits are designed to provide reasonable protection against harmful interference when the equipment is operated in a commercial environment. This equipment generates, uses, and can radiate radio frequency energy and, if not installed and used in accordance with the instruction manual, may cause harmful interference to radio communications. Operation of this equipment in a residential area is likely to cause harmful interference in which case the user will be required to correct the interference at his own expense.

#### **LVD/EMC Directive**



This product complies with the European Low Voltage Directive 2014/35/EU and EMC Directive 2014/30/EU.

#### **WEEE Directive–2012/19/EU**



The product this manual refers to is covered by the Waste Electrical & Electronic Equipment (WEEE) Directive and must be disposed of in a responsible manner.

#### **Battery Directive-2013/56/EC**



Battery in the product complies with the European Battery Directive 2013/56/EC. For proper recycling, return the battery to your supplier or to a designated collection point.

# Better Security, Better World



[www.uniview.com](http://www.uniview.com)



[globalsupport@uniview.com](mailto:globalsupport@uniview.com)