

NVR301-08-P8

8 Channel NVR (with 8 POE Ports)



Key Features

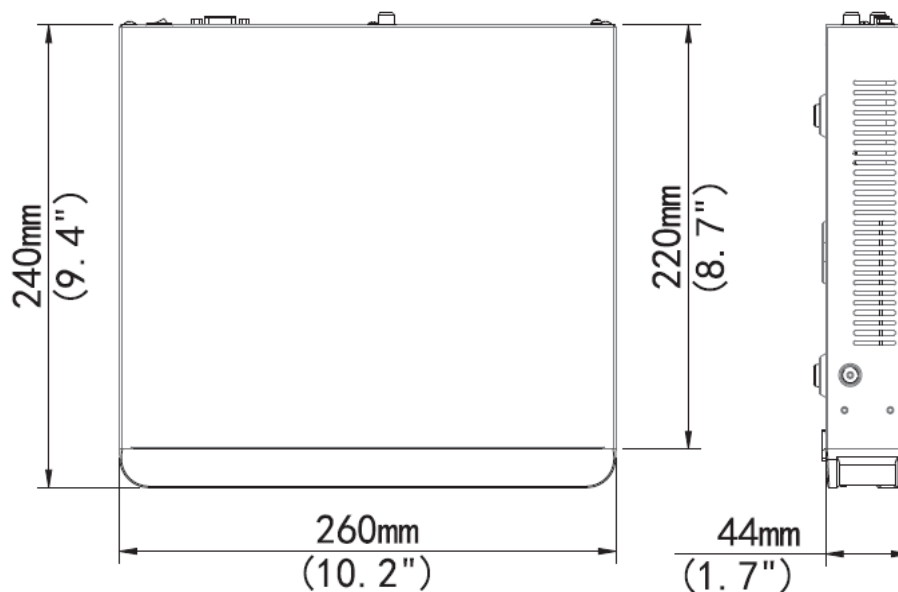
- Support Ultra 265/H.265/H.264 video formats
- 8 channel input
- Plug & Play with 8 independent PoE network interfaces
- Third-party IP cameras supported with ONVIF conformance: Profile S, Profile G, Profile C, Profile Q, Profile A, Profile T
- Support 1-ch HDMI, 1-ch VGA, HDMI at up to 4K (3840x2160) resolution
- HDMI and VGA simultaneous output
- Supports smart features (VCA)
- Up to 8 megapixels resolution recording
- 1 SATA HDD, up to 8 TB
- ANR technology to enhance the storage reliability when the network is disconnected
- Support cloud upgrade

Specifications

Model	NVR301-08-P8
Video/Audio Input	
IP Video Input	8-ch
Two-way Audio Input	1-ch, RCA
Network	
Incoming Bandwidth	60Mbps
Outgoing Bandwidth	64Mbps
Remote Users	128
Protocols	P2P, UPnP, NTP, DHCP, PPPoE
Video/Audio Output	
HDMI/VGA Output	HDMI: 3840x2160(4K), 1920x1080p, 1600x1200, 1280x1024, 1280x720, 1024x768 VGA: 1920x1080, 1600x1200, 1280x1024, 1280x720, 1024x768
Recording Resolution	8MP/6MP/5MP/4MP/3MP/1080p/960p/720p/D1/2CIF/CIF
Audio Output	1-ch, RCA
Synchronous Playback	8-ch
Corridor Mode Screen	3/4/5/7/9
Decoding	
Decoding format	Ultra 265, H.265, H.264
Live view /Playback	8MP/6MP/5MP/4MP/3MP/1080p/960p/720p/D1/2CIF/CIF
Capability	1 x 4K@30, 2 x 4MP@30, 4 x 1080p@30, 8 x 720p@30, 16 x D1
Hard Disk	
SATA	1 SATA interface
Capacity	up to 8TB for each disk
Smart	
VCA Detection	Face detection, Intrusion detection, Line Cross detection, Audio detection, Defocus detection, Scene change detection, Auto tracking
VCA Search	Face search, Behavior search
Statistical Analysis	People counting
External Interface	
Network Interface	1 RJ-45 10M/100M self-adaptive Ethernet Interface
USB Interface	Rear panel: 2 x USB2.0, Front panel: 1 x USB2.0
Alarm In	4-ch
Alarm Out	1-ch

PoE	
Interface	8 independent 100 Mbps PoE network interfaces
Max Power	Max 30W for single port Max 108W in total (13.5W for each)
Supported Standard	IEEE 802.3at, IEEE 802.3af
General	
Power Supply	52V DC Power Consumption: ≤ 5 W (without HDD)
Working Environment	-10°C ~ + 55°C (+14°F ~ +131°F), Humidity ≤ 90% RH (non-condensing)
Dimensions (W × D × H)	260mm × 240mm × 44mm (10.2" × 9.4" × 1.7")
Weight (without HDD)	≤ 1.12 Kgs (2.47 lbs)

Dimensions



Unit 7 Osprey Court, Hinchingsbrooke Business Park, Huntingdon, PE29 6FN

Email: sales@digitaldirectsecurity.co.uk sales@ddstrade.co.uk

<https://www.digitaldirectsecurity.co.uk> <https://www.ddstrade.co.uk>

*Product specifications and availability are subject to change without notice.