

IPC2324LBR3-SPZ28-D(B)

4MP Bullet Camera with motorised lens



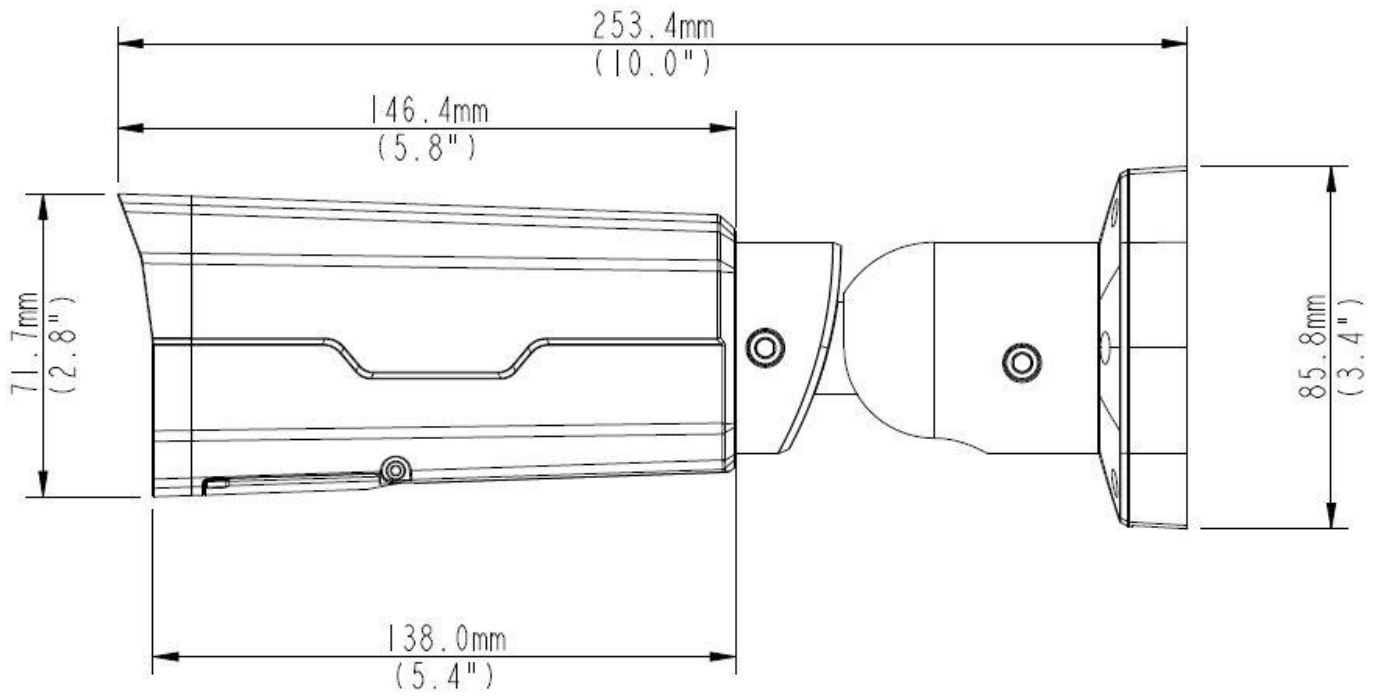
Key Features

- Day/night functionality
- Smart IR , up to 30 m (98 ft) IR distance
- Optical glass window with higher light transmittance
- IR anti-reflection window to increase the infrared transmittance
- 2D/3D DNR (Digital Noise Reduction)
- Ultra 265,H.265, H.264, MJPEG
- Triple streams
- ONVIF Conformance
- Wide temperature range: -30°C to 60°C (-22°F to 140°F)
- Wide voltage range of $\pm 25\%$
- IP67
- Vandal resistant (IK10 rated)

Specifications

IPC2324LBR3-SPZ28-D(B)					
Camera					
Sensor	1/3", 4.0 megapixel, progressive scan, CMOS				
Lens	2.8~12 mm, motorized zoom lens				
DORI Distance	Lens	Detect(m)	Observe(m)	Recognize(m)	Identify(m)
	2.8mm	63	25.2	12.6	6.3
	12mm	270	108	54	27
Angle of View (H)	91.0°~27°				
Angle of View (V)	54.4°~13.7°				
Angle of View (O)	118.3°~33.2°				
Adjustment angle	Pan: 0°~360°		Tilt: 0°~90°		Rotate: 0°~360°
Shutter	Auto/Manual, 1/6~1/100000 s				
Minimum Illumination	Colour: 0.02 Lux (F2.0, AGC ON) 0 Lux with IR on				
Digital noise reduction	2D/3D DNR				
Day/Night	IR-cut filter with auto switch (ICR)				
S/N	>52dB				
IR Range	Up to 30m (98 ft) IR range				
WDR	DWDR				
Video					
Video Compression	Ultra 265,H.265, H.264, MJPEG				
H.264 code profile	Baseline profile, Main Profile, High Profile				
Frame Rate	Main Stream:4MP (2592x1520): Max. 20fps; Sub Stream: 720P (1280*720): Max. 30 fps; Third Stream: D1 (704x576): Max. 30fps				
HLC	Supported				
BLC	Supported				
OSD	Up to 4 OSDs				
Privacy Mask	Up to 8 areas				
ROI	Up to 2 areas				
Motion Detection	Up to 4 areas				
Network					
Protocols	IPv4, IGMP, ICMP, ARP, TCP, UDP, DHCP, RTP, RTSP, RTCP, DNS, DDNS, NTP, FTP, UPnP, HTTP, HTTPS, SMTP, SSL , SNMP				
Compatible Integration	ONVIF(Profile S), API				
Interface					
Network	1 RJ45 100M Base-TX Ethernet				
General					
Power	12 V DC±25%, PoE (IEEE802.3 af)				
	Power consumption: Max 5.5W				
Dimensions (L × W × H)	146 ×71.7 ×82.4 mm (5.7" × 2.8" × 3.2")				
Weight	0.58kg (1.28lb)				
Working Environment	-30°C ~ +60°C (-22°F ~ 140°F), Humidity :10%~90% RH(non-condensing)				
Ingress Protection	IP67				

Dimensions



Unit 7 Osprey Court, Hinchingsbrooke Business Park, Huntingdon, PE29 6FN

Email: sales@digitaldirectsecurity.co.uk sales@ddstrade.co.uk

<https://www.digitaldirectsecurity.co.uk> <https://www.ddstrade.co.uk>

*Product specifications and availability are subject to change without notice.