

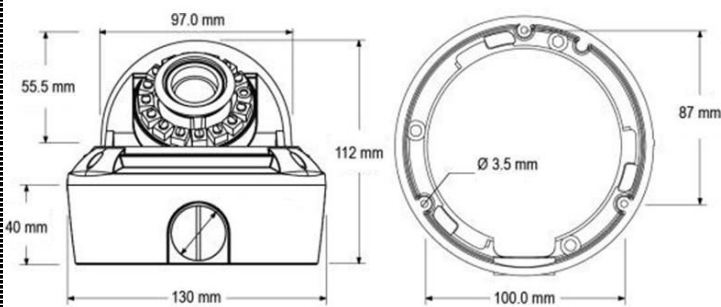
Vortec Dome Camera (Pro)



Product Features

- Sony 4MP chipset
- Image Resolution 2560 x 1440 pixels
- Advanced H.264 compression, dual stream
- 12 Pcs SuperFlux IR LEDs, IR range 20-25m
- Auto Iris Lens 2.8-12mm, 4MP glass
- Auto ICR
- dWDR, DNR, BLC (auto)
- ONVIF compatible
- Built-in POE
- Audio in/out connectors
- Hardware WatchDog
- IP67 and IK10 rating

Dimensions



Accessories



WM-SVIR

Camera Specification	
Model	SIP4-789VR
Camera	
Image Sensor:	Sony 4MP CMOS (1/3")
Resolution:	4MP
Effective Pixels (H x V):	2688 x 1520
TV System:	PAL / NTSC
Shutter Speed:	1/5-1/20000
Signal-to-noise Ratio:	≥50dB
Iris:	Electronic
Back Light Compensation:	Auto
Wide Dynamic Range:	dWDR
Digital Noise Reduction:	2D/3D
Gain Control:	Auto
Sync Mode:	Internal
White Balance:	Auto/Manual
Lens:	Vari-focal 2.8-12mm
Field of View:	87°~ 35°
Up-the-Coax Control:	N/A
Scanning:	Progressive Scan
Day/Night	
Day & Night:	IR Cut Filter (Smart IR)
Minimum Illumination:	Colour 0.05Lux, IR on 0Lux
Infrared LEDs:	12pcs SuperFlux IR
IR Range:	20-25m
IR Status:	Below 10 Lux by CDS
IR Control:	CDS Auto
Network	
Ethernet:	RJ45 10/100
Supported Protocols:	TCP/IP,ICMP,HTTP,FTP, DHCP,DNS,DDNS,RTP, RTSP,RTCP,NTP,SMTP
ONVIF:	Supports ONVIF 2.4
POE:	Yes
Main Stream:	2560x1440@15fps
Sub Stream:	720x480@30fps
General	
Power:	12V DC (+/- 10%), 950mA
Housing:	Metal
Operating Temperature:	-20°C ~ +60°C
Operating Humidity:	0% - 90% RH
Ingress Protection:	IP67 / IK10
Approvals:	CE / FCC