

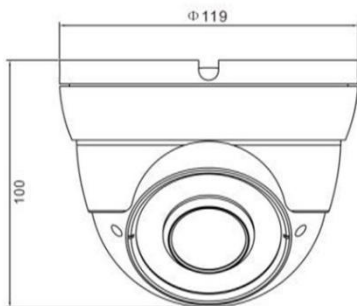
Vortec IP Dome Camera



Product Features

- Sony 2.1MP Advanced chipset
- Image Resolution 1920 x 1080 pixels
- Advanced H.264 compression, dual stream
- 24pcs SMD IR LEDs, IR range 25-30m
- Lens 2.8-12mm (manual adjustable), 3MP glass
- Auto ICR
- dWDR, DNR, BLC (auto)
- ONVIF compatible
- Built-in POE
- IP66 rating
- Dark Grey or White

Dimensions



Accessories



SIP-EXB



SIP-EXW

Camera Specification	
Model	SIP2-779VR
Camera	
Image Sensor:	Sony CMOS (1/2.7")
Resolution:	2.1MP
Effective Pixels (H x V):	1920 x 1080
TV System:	PAL / NTSC
Shutter Speed:	1/1-1/10000
Signal-to-noise Ratio:	≥52dB
Iris:	Electronic
Back Light Compensation:	Auto
Wide Dynamic Range:	dWDR
Digital Noise Reduction:	2D/3D
Gain Control:	Auto
Sync Mode:	External
White Balance:	Auto/Manual
Lens:	Vari-focal 2.8-12mm
Field of View:	90° ~ 35°
Up-the-Coax Control:	N/A
Scanning:	Progressive Scan
Day/Night	
Day & Night:	IR Cut Filter (Smart IR)
Minimum Illumination:	Colour 0.2Lux, IR on 0Lux
Infrared LEDs:	14μ x 24pcs
IR Range:	25-30m
IR Status:	Below 10 Lux by CDS
IR Control:	CDS Auto
Network	
Ethernet:	RJ45 10/100
Supported Protocols:	TCP/IP,ICMP,HTTP,FTP, DHCP,DNS,DDNS,RTP, RTSP,RTCP,NTP,SMTP
ONVIF:	Supports ONVIF 2.4
POE:	Yes
Main Stream:	1920x1080@30fps
Sub Stream:	720x480@30fps
General	
Power:	12V DC (+/- 10%), 950mA
Housing:	Metal
Operating Temperature:	-10°C ~ +50°C
Operating Humidity:	0% - 90% RH
Ingress Protection:	IP66
Approvals:	CE / FCC