

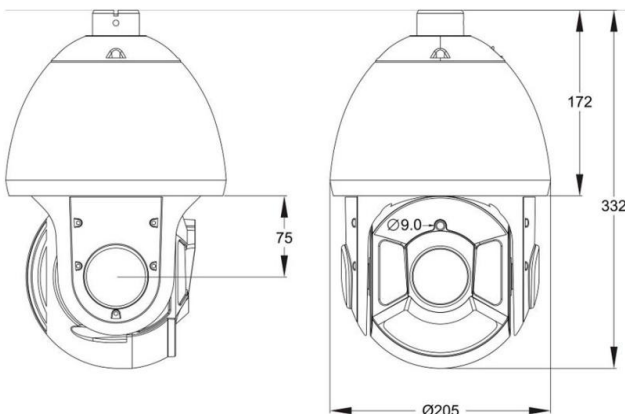
Vortec Pro IP PTZ Camera (3MP)



Product Features

- Sony advanced chipset
- Image Resolution: 2048 x 1536 pixels
- Advanced H.264 compression, dual stream
- 8pc high power IR LEDs, IR range ~150m
- Anti-reflection optical glass to increase infrared transmittance
- Motorised 4.3 - 129mm lens, 30x optical, 16x digital zoom
- Auto ICR
- dWDR, DNR, BLC (auto)
- ONVIF compatible
- Alarm and audio in/out connectors
- BNC out connector
- Onboard recording to SD card (up to 128GB)
- IP67 rating
- TVS 4,000V lightning protection, surge protection and voltage transient protection

Dimensions



Accessories



KEYB-IP01



Camera Specification	
Model	SD65-S30
Camera	
Image Sensor:	Sony CMOS (1/2.8")
Resolution:	3MP
Effective Pixels (H x V):	2048 x 1536
TV System:	PAL / NTSC
Shutter Speed:	1/1-1/10000
Signal-to-noise Ratio:	≥52dB
Iris:	Electronic
Back Light Compensation:	Auto
Wide Dynamic Range:	dWDR
Digital Noise Reduction:	3D
Gain Control:	Auto
Sync Mode:	Internal
White Balance:	Auto/Manual
Lens:	Motorised 4.3-129mm, 30x Optical and 16x Digital
Field of View:	59.8°~ 2.3°
Scanning:	Progressive Scan
Onboard Recording:	Yes, to MicroSD/SDHC/SDXC card
Day/Night	
Day & Night:	IR Cut Filter (Smart IR)
Minimum Illumination:	Color 0.01Lux; B&W 0.Lux (IR ON)
Infrared LEDs:	8pcs
IR Range:	150m
IR Status:	Below 10 Lux by CDS
IR Control:	CDS Auto
Network	
Ethernet:	RJ45 10/100
Supported Protocols:	TCP/IP,ICMP,HTTP,FTP, DHCP,DNS,DDNS,RTP, RTSP,RTCP,NTP,SMTP
ONVIF:	Supports ONVIF 2.4
POE:	N/A
Main Stream:	2048x1536@15fps
Sub Stream:	704x480@15fps
General	
Power:	24vAC (+-10%), 2.5A
Housing:	Metal
Operating Temperature:	-30°C ~ +60°C
Operating Humidity:	0% - 90% RH
Ingress Protection:	IP66 / TVS4000V
Approvals:	CE / FCC