

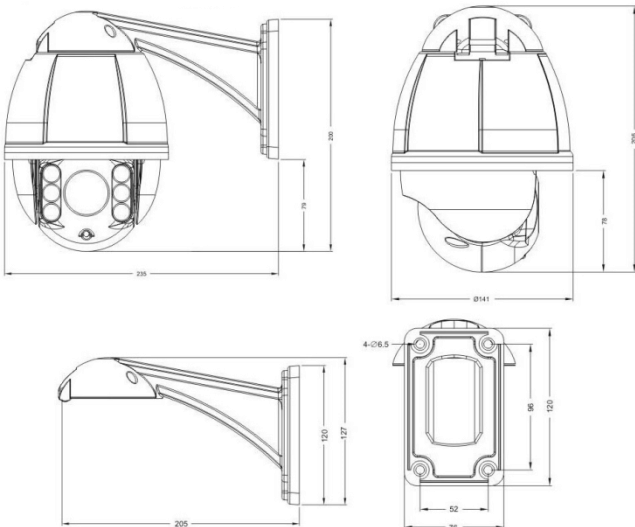
# Mini IP PTZ Dome Camera (2MP)



## Product Features

- 2 megapixel HD quality recording
- OmniVision chipset
- Image resolution: 1920 x 1080
- Mainstream 2MP @ 30fps, dual stream
- Advanced H.264 compression
- 5-50mm motorised lens with 10x optical zoom
- 6 pcs high-power IR LEDs, IR range 45-50m
- ICR, HLC, dWDR, DNR, BLC (auto)
- Auto/manual focus & iris
- Pan rotation ~200 degree/sec, 360degree
- Tilt rotation ~80 degree/sec, 90degree, auto flip
- Programme 220 preset position, 3 tours
- ONVIF compatible
- IP66 rated

## Dimensions



## Accessories



B780



B790

Camera Specification	
<b>Model</b>	<b>SD64-10IR</b>
<b>Camera</b>	
Image Sensor:	OmniVision CMOS (1/2.9")
Resolution:	2MP
Effective Pixels (H x V):	1920 x 1080
TV System:	PAL / NTSC
Shutter Speed:	1/1-1/10000
Signal-to-noise Ratio:	≥50dB
Iris:	Electronic
Back Light Compensation:	Auto
Wide Dynamic Range:	dWDR
Digital Noise Reduction:	2D/3D
Gain Control:	Auto
Sync Mode:	Internal
White Balance:	Auto/Manual
Lens:	Motorised 5-50mm Lens, 10x Optical
Field of View:	55°~ 5°
Up-the-Coax Control:	N/A
Scanning:	Progressive Scan
<b>Day/Night</b>	
Day & Night:	IR Cut Filter (Smart IR)
Minimum Illumination:	Colour 0.1Lux, IR on 0.01Lux
Infrared LEDs:	16μ x 6pcs
IR Range:	45-50m
IR Status:	Below 10 Lux by CDS
IR Control:	CDS Auto
<b>Network</b>	
Ethernet:	RJ45 10/100
Supported Protocols:	TCP/IP,ICMP,HTTP,FTP, DHCP,DNS,DDNS,RTP, RTSP,RTCP,NTP,SMTP
ONVIF:	Supports ONVIF 2.4
POE:	No
Main Stream:	1920x1080@30fps
Sub Stream:	720x480@30fps
<b>General</b>	
Power:	12V DC (+/- 10%), 3A
Housing:	Metal
Operating Temperature:	-20°C ~ +60°C
Operating Humidity:	0% - 90% RH
Ingress Protection:	IP66
Approvals:	CE / FCC