

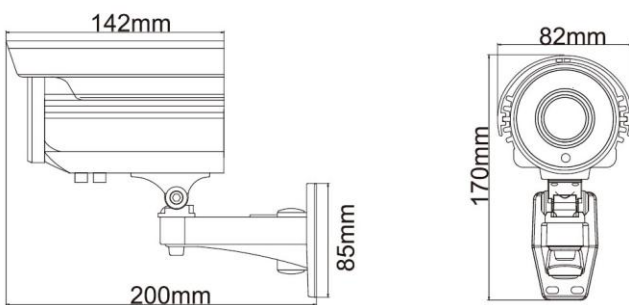
Medium Range HD IP Camera



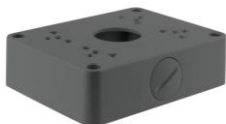
Product Features

- 2.4 megapixel HD quality recording
- OmniVision chipset
- Image resolution: 1920 x 1080
- Mainstream 1080P @ 30fps, dual stream
- Advanced H.264 compression
- 2.8-12mm vari-focal lens, 3MP glass lens
- 42 pcs LEDs, IR range 35-40m
- Smart IR (IR-Cut filter)
- dWDR, DNR, BLC (auto)
- ONVIF compatible
- Includes PoE
- IP66 rating
- 32Kbps-6Mbps (configurable)

Dimensions



Accessories



B230(G)

Camera Specification	
Model	KIP-578VR
Camera	
Image Sensor:	OmniVision CMOS (1/2.9")
Resolution:	2.1MP
Effective Pixels (H x V):	1920 x 1080
TV System:	PAL / NTSC
Shutter Speed:	1/1-1/10000
Signal-to-noise Ratio:	≥52dB
Iris:	Electronic
Back Light Compensation:	Auto
Wide Dynamic Range:	dWDR
Digital Noise Reduction:	2D/3D
Gain Control:	Auto
Sync Mode:	External
White Balance:	Auto/Manual
Lens:	Vari-focal 2.8-12mm
Field of View:	95°~ 23°
Up-the-Coax Control:	N/A
Scanning:	Progressive Scan
Day/Night	
Day & Night:	IR Cut Filter (Smart IR)
Minimum Illumination:	0.1 Lux
Infrared LEDs:	5μ x 42pcs
IR Range:	35-40m
IR Status:	Below 10 Lux by CDS
IR Control:	CDS Auto
Network	
Ethernet:	RJ45 10/100
Supported Protocols:	TCP/IP,ICMP,HTTP,FTP, DHCP,DNS,DDNS,RTP, RTSP,RTCP,NTP,SMTP
ONVIF:	Supports ONVIF 2.4
POE:	Yes
Main Stream:	1920x1080@30fps
Sub Stream:	704x576@30fps
General	
Power:	12V DC (+/- 10%), 1A
Housing:	Metal
Operating Temperature:	-10°C ~ +50°C
Operating Humidity:	0% - 95% RH
Ingress Protection:	IP66
Approvals:	CE / FCC