

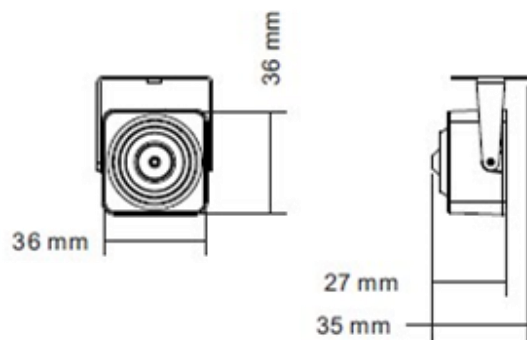
Mini Square Day Night Camera



Product Features

- 2.1 megapixel HD quality recording
- Sony Starvis chipset
- Image resolution: 1920 x 1080
- Mainstream 1080P @ 30fps, dual stream
- Advanced H.264 compression
- 3.7mm taper pin hole lens, 3MP glass lens
- Built-in MicroSD card slot
- Smart IR (IR-Cut filter)
- dWDR, DNR, BLC (auto)
- ONVIF compatible
- PoE compatible (requires splitter)
- Inline audio connectors

Dimensions



Accessories



POE-SPLIT

Camera Specification	
Model	KIP-069P
Camera	
Image Sensor:	Sony Starvis CMOS (1/2.8")
Resolution:	2.1MP
Effective Pixels (H x V):	1945 x 1097
TV System:	PAL / NTSC
Shutter Speed:	1/25s-1/10000
Signal-to-noise Ratio:	≥52dB
Iris:	Electronic
Back Light Compensation:	Auto
Wide Dynamic Range:	dWDR
Digital Noise Reduction:	2D/3D
Gain Control:	Auto
Sync Mode:	External
White Balance:	Auto/Manual
Lens:	Fixed 3.7mm Lens
Field of View:	95°~ 23°
Up-the-Coax Control:	N/A
Scanning:	Progressive Scan
Day/Night	
Day & Night:	Colour
Minimum Illumination:	0.1 Lux
Infrared LEDs:	N/A
IR Range:	N/A
IR Status:	N/A
IR Control:	N/A
Network	
Ethernet:	RJ45 10/100
Supported Protocols:	TCP/IP,ICMP,HTTP,FTP, DHCP,DNS,DDNS,RTP, RTSP,RTCP,NTP,SMTP
ONVIF:	Supports ONVIF 2.4
POE:	Splitter required
Main Stream:	1920x1080@30fps
Sub Stream:	704x576@30fps
General	
Power:	12V DC (+/- 10%), 550mA
Housing:	Metal
Operating Temperature:	-20°C ~ +60°C
Operating Humidity:	0% - 95% RH
Ingress Protection:	N/A
Approvals:	CE / FCC