

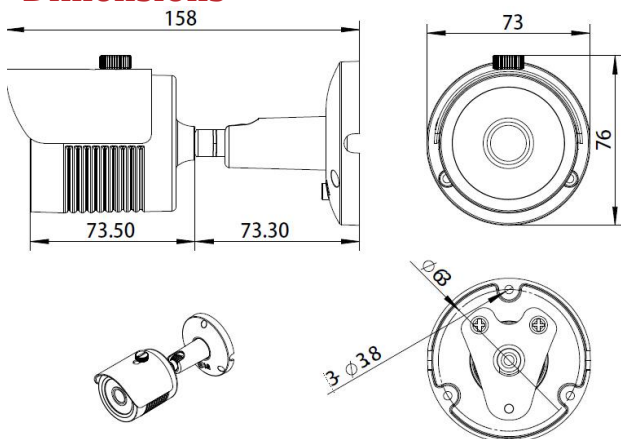
# Mini IP Bullet Camera (4MP)



## Product Features

- 4 megapixel HD quality recording
- OmniVision chipset
- Image resolution: 2560 x 1440
- Mainstream 4MP @ 20fps, dual stream
- Advanced H.264 compression
- 3.6mm fixed-focal lens
- 24 pcs SMD LEDs, IR range 15-20m
- Smart IR (IR-Cut filter)
- dWDR, DNR, BLC (auto)
- ONVIF compatible
- IP66 rating
- Built-in POE

## Dimensions



## Accessories



JB-419(W)

Camera Specification	
<b>Model</b>	<b>HIP-419R</b>
<b>Camera</b>	
Image Sensor:	OmniVision 4MP CMOS (1/3")
Resolution:	4MP
Effective Pixels (H x V):	2688 x 1520
TV System:	PAL / NTSC
Shutter Speed:	1/25s-1/50000
Signal-to-noise Ratio:	≥52dB
Iris:	Electronic
Back Light Compensation:	Auto
Wide Dynamic Range:	dWDR
Digital Noise Reduction:	2D/3D
Gain Control:	Auto
Sync Mode:	Internal
White Balance:	Auto/Manual
Lens:	Fixed 3.6mm Lens
Field of View:	70°
Up-the-Coax Control:	N/A
Scanning:	Progressive Scan
<b>Day/Night</b>	
Day & Night:	IR Cut Filter (Smart IR)
Minimum Illumination:	0.1 Lux
Infrared LEDs:	14μ x 24pcs SMD
IR Range:	15-20m
IR Status:	Below 10 Lux by CDS
IR Control:	CDS Auto
<b>Network</b>	
Ethernet:	RJ45 10/100
Supported Protocols:	TCP/IP,ICMP,HTTP,FTP, DHCP,DNS,DDNS,RTP, RTSP,RTCP,NTP,SMTP
ONVIF:	Supports ONVIF 2.4
POE:	Yes
Main Stream:	2560x1440@20fps
Sub Stream:	720x480@30fps
<b>General</b>	
Power:	12V DC (+/- 10%), 750mA
Housing:	Metal
Operating Temperature:	-10°C ~ +50°C
Operating Humidity:	0% - 95% RH
Ingress Protection:	IP66
Approvals:	CE / FCC