

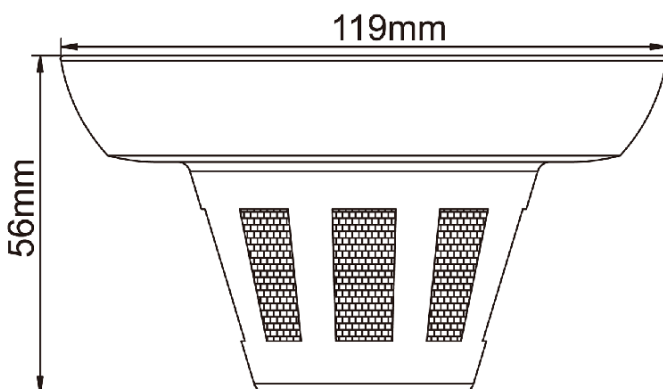
Covert Style Smoke Detector Camera



Product Features

- Sony chipset
- Image Resolution: 1920 x 1080 pixels
- Advanced H.264 compression, dual stream
- IR-cut filter
- 3.6mm fixed-focal lens
- dWDR, DNR, BLC (auto)
- Supports TVI and Analogue
- Internal use only

Dimensions



Camera Specification	
Model	TV-049SD
Camera	
Image Sensor:	Sony CMOS (1/2.9")
Resolution:	2.4MP
Effective Pixels (H x V):	1920 x 1080
TV System:	PAL / NTSC
Shutter Speed:	1/25s-1/50000
Signal-to-noise Ratio:	≥50dB
Iris:	Electronic
Back Light Compensation:	Auto
Wide Dynamic Range:	dWDR
Digital Noise Reduction:	2D/3D
Gain Control:	Auto
Sync Mode:	Internal
White Balance:	Auto
Lens:	Fixed 3.6mm Lens
Field of View:	70°
Up-the-Coax Control:	N/A
Scanning:	Progressive Scan
Day/Night	
Day & Night:	IR Cut Filter
Minimum Illumination:	0.001Lux
Infrared LEDs:	N/A
IR Range:	N/A
IR Status:	N/A
IR Control:	N/A
General	
Power:	12V DC (+/- 10%), 300mA
Housing:	Plastic
Operating Temperature:	-10°C ~ +50°C
Operating Humidity:	0% - 95% RH
Ingress Protection:	N/A
Approvals:	CE / FCC
Weight:	350g