

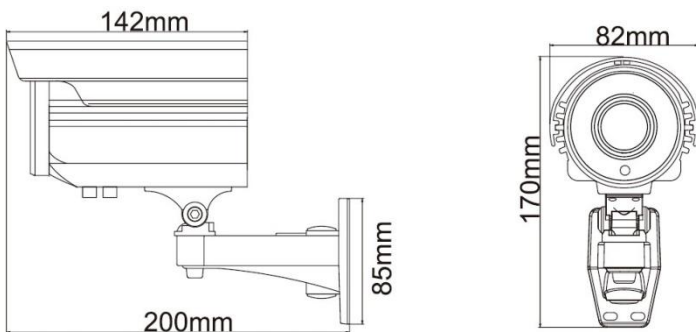
Day Night 5MP Security Camera



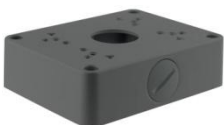
Product Features

- Sony chipset
- Image Resolution: 2560 x 1920 pixels
- Advanced H.264 compression, dual stream
- 4pcs SMD IR LEDs, IR range 35-40m
- Smart IR (IR-cut filter)
- 2.8-12mm vari-focal lens (manual adjustment)
- dWDR, DNR, BLC (auto)
- Supports AHD (5MP), TVI (5MP), CVI (4MP) and Analogue
- IP66 rated

Dimensions



Accessories



B230(G)

Camera Specification	
Model	AT5M-578VR
Camera	
Image Sensor:	Sony 6MP CMOS (1/2.7")
Resolution:	TVI 5MP
Effective Pixels (H x V):	2592 x 1944
TV System:	PAL / NTSC
Shutter Speed:	1/25s-1/50000
Signal-to-noise Ratio:	≥50dB
Iris:	Electronic
Back Light Compensation:	Via OSD Menu
Wide Dynamic Range:	dWDR
Digital Noise Reduction:	2D/3D
Gain Control:	Auto
Sync Mode:	Internal
White Balance:	Auto/Manual
Lens:	Vari-focal 2.8-12mm
Field of View:	95°~ 23°
Up-the-Coax Control:	Yes
Scanning:	Progressive Scan
Day/Night	
Day & Night:	IR Cut Filter (Smart IR)
Minimum Illumination:	0.1 Lux
Infrared LEDs:	42μ x 4pcs SMD
IR Range:	35-40m
IR Status:	Below 10 Lux by CDS
IR Control:	CDS Auto
General	
Power:	12V DC (+/- 10%), 700mA
Housing:	Metal
Operating Temperature:	-10°C +50°C
Operating Humidity:	0% - 95% RH
Ingress Protection:	IP66
Approvals:	CE / FCC
Weight:	1.4kg