

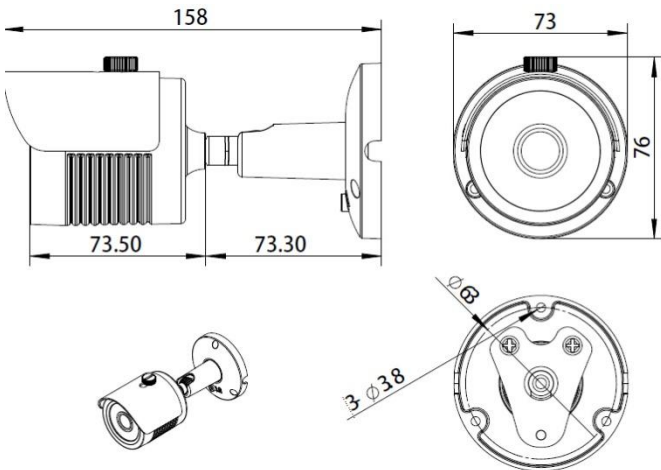
# Mini Day Night 5MP Camera



## Product Features

- Sony chipset
- Image Resolution: 2560 x 1920 pixels
- Advanced H.264 compression, dual stream
- 2pcs SMD IR LEDs, IR range 15-20m
- Smart IR (IR-cut filter)
- 3.6mm fixed-focal lens
- dWDR, DNR, BLC (auto)
- Supports AHD (5MP), TVI (5MP), CVI (4MP) and Analogue
- IP66 rated

## Dimensions



## Accessories



JB-419(W)

| <b>Camera Specification</b> |                          |
|-----------------------------|--------------------------|
| <b>Model</b>                | <b>AT5M-419R</b>         |
| <b>Camera</b>               |                          |
| Image Sensor:               | Sony 6MP CMOS (1/2.9")   |
| Resolution:                 | TVI 5MP                  |
| Effective Pixels (H x V):   | 2592 x 1944              |
| TV System:                  | PAL / NTSC               |
| Shutter Speed:              | 1/25s-1/50000            |
| Signal-to-noise Ratio:      | ≥50dB                    |
| Iris:                       | Electronic               |
| Back Light Compensation:    | Auto                     |
| Wide Dynamic Range:         | dWDR                     |
| Digital Noise Reduction:    | 2D/3D                    |
| Gain Control:               | Auto                     |
| Sync Mode:                  | Internal                 |
| White Balance:              | Auto                     |
| Lens:                       | Fixed 3.6mm Lens         |
| Field of View:              | 70°                      |
| Up-the-Coax Control:        | Yes                      |
| Scanning:                   | Progressive Scan         |
| <b>Day/Night</b>            |                          |
| Day & Night:                | IR Cut Filter (Smart IR) |
| Minimum Illumination:       | 0.1 Lux                  |
| Infrared LEDs:              | 42μ x 2pcs SMD           |
| IR Range:                   | 15-20m                   |
| IR Status:                  | Below 10 Lux by CDS      |
| IR Control:                 | CDS Auto                 |
| <b>General</b>              |                          |
| Power:                      | 12V DC (+/- 10%), 600mA  |
| Housing:                    | Metal                    |
| Operating Temperature:      | -10°C ~ +50°C            |
| Operating Humidity:         | 0% - 95% RH              |
| Ingress Protection:         | IP66                     |
| Approvals:                  | CE / FCC                 |
| Weight:                     | 650g                     |