

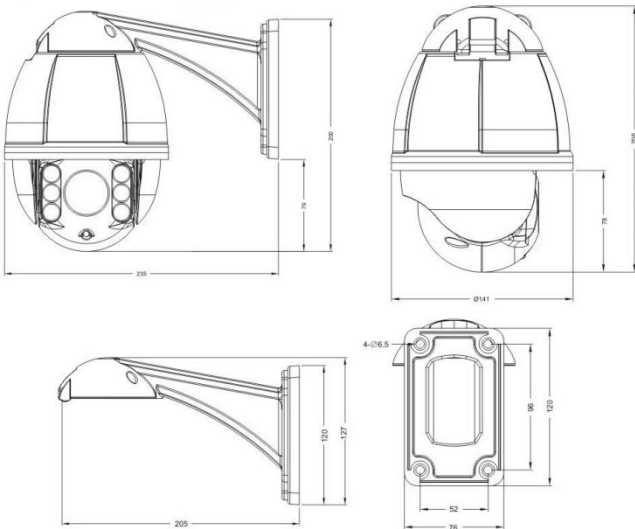
# Mini PTZ Dome Camera (4-in-1)



## Product Features

- Sony chipset
- Image resolution: 1920 x 1080
- Supports AHD, TVI, CVI and Analogue
- Advanced H.264 compression, dual stream
- 5-50mm motorised lens with 10x optical zoom
- 6 pcs high-power IR LEDs, IR range 45-50m
- ICR, HLC, dWDR, DNR, BLC (auto)
- Auto/manual focus & iris
- Pan rotation ~200 degree/sec, 360degree
- Tilt rotation 80 degree/sec, 90degree, Auto Flip
- Programme 220 preset position, 3 tours
- IP66 rated

## Dimensions



## Accessories



B780



B790



KEYB-85-3

<b>Camera Specification</b>	
<b>Model</b>	<b>AT1080-SD85-10IR</b>
<b>Camera</b>	
Image Sensor:	Sony CMOS (1/2.8")
Resolution:	2.4MP
Effective Pixels (H x V):	1920 x 1080
TV System:	PAL / NTSC
Shutter Speed:	1/25s-1/50000
Signal-to-noise Ratio:	≥50dB
Iris:	Electronic
Back Light Compensation:	Auto
Wide Dynamic Range:	dWDR
Digital Noise Reduction:	2D/3D
Gain Control:	Auto
Sync Mode:	Internal
White Balance:	Auto/Manual
Lens:	Vari-focal 5.1-51mm, 10x Optical Zoom
Field of View:	55°~ 5°
Up-the-Coax Control:	Yes
Scanning:	Progressive Scan
<b>Day/Night</b>	
Day & Night:	IR Cut Filter (Smart IR)
Minimum Illumination:	Colour 0.1Lux, IR on 0.01Lux
Infrared LEDs:	16μ x 6pcs
IR Range:	45-50m
IR Status:	Below 10 Lux by CDS
IR Control:	CDS Auto
<b>General</b>	
Power:	12V DC (+/- 10%), 3A
Housing:	Metal
Operating Temperature:	-20°C ~ +60°C
Operating Humidity:	0% - 90% RH
Ingress Protection:	IP66
Approvals:	CE / FCC
Weight:	3.4kgs