

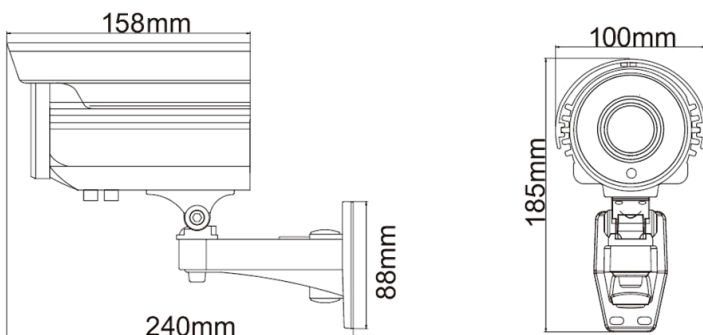
Day Night Camera



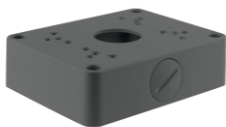
Product Features

- Sony Starvis chipset
- Image Resolution: 1920 x 1080 pixels
- Advanced H.264 compression, dual stream
- 6pcs SMD IR LEDs, IR range 55-60m
- Smart IR (IR-cut filter)
- 2.8-12mm vari-focal lens (manual adjustment)
- dWDR, DNR, BLC (auto)
- Supports AHD, TVI, CVI and Analogue
- IP66 rated

Dimensions



Accessories



B230(G)

Camera Specification	
Model	AT1080-579SVR
Camera	
Image Sensor:	Sony Starvis CMOS (1/2.8")
Resolution:	2.1MP
Effective Pixels (H x V):	1920 x 1080
TV System:	PAL / NTSC
Shutter Speed:	1/25s-1/50000
Signal-to-noise Ratio:	≥50dB
Iris:	Electronic
Back Light Compensation:	Auto
Wide Dynamic Range:	dWDR
Digital Noise Reduction:	2D/3D
Gain Control:	Auto
Sync Mode:	Internal
White Balance:	Auto/Manual
Lens:	Vari-focal 2.8-12mm
Field of View:	95°~ 23°
Up-the-Coax Control:	Yes
Scanning:	Progressive Scan
Day/Night	
Day & Night:	IR Cut Filter (Smart IR)
Minimum Illumination:	0.1 Lux
Infrared LEDs:	42μ x 6pcs SMD
IR Range:	55-60m
IR Status:	Below 10 Lux by CDS
IR Control:	CDS Auto
General	
Power:	12V DC (+/- 10%), 850mA
Housing:	Metal
Operating Temperature:	-10°C ~ +50°C
Operating Humidity:	0% - 95% RH
Ingress Protection:	IP66
Approvals:	CE / FCC
Weight:	1.7kg