

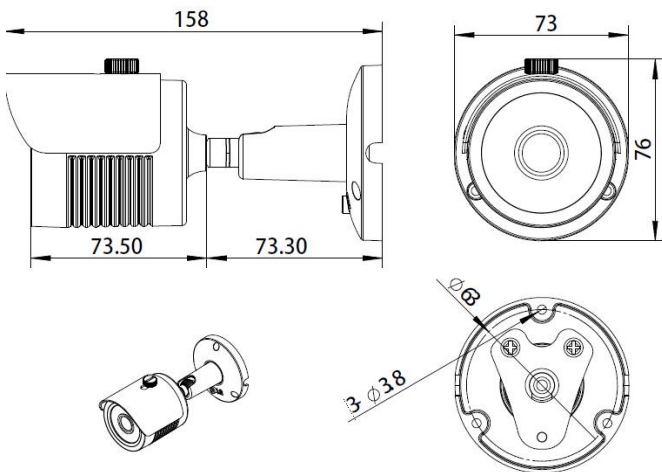
# Mini Day Night CCTV Camera



## Product Features

- OmniVision chipset
- Image Resolution: 1920 x 1080 pixels
- Advanced H.264 compression, dual stream
- 2pcs SMD IR LEDs, IR range 15-20m
- Smart IR (IR-cut filter)
- 3.6mm fixed-focal lens
- dWDR, DNR, BLC (auto)
- Supports AHD, TVI, CVI and Analogue
- IP66 rated

## Dimensions



## Accessories



JB-419(G)

Camera Specification	
<b>Model</b>	<b>AT1080-419R</b>
<b>Camera</b>	
Image Sensor:	OmniVision CMOS (1/3")
Resolution:	2MP
Effective Pixels (H x V):	1920 x 1080
TV System:	PAL / NTSC
Shutter Speed:	1/25s-1/50000
Signal-to-noise Ratio:	≥50dB
Iris:	Electronic
Back Light Compensation:	Auto
Wide Dynamic Range:	dWDR
Digital Noise Reduction:	2D/3D
Gain Control:	Auto
Sync Mode:	Internal
White Balance:	Auto/Manual
Lens:	Fixed 3.6mm Lens
Field of View:	70°
Up-the-Coax Control:	Yes
Scanning:	Progressive Scan
<b>Day/Night</b>	
Day & Night:	IR Cut Filter (Smart IR)
Minimum Illumination:	0.1 Lux
Infrared LEDs:	42μ x 2pcs SMD
IR Range:	10-15m
IR Status:	Below 10 Lux by CDS
IR Control:	CDS Auto
<b>General</b>	
Power:	12V DC (+/- 10%), 600mA
Housing:	Metal
Operating Temperature:	-10°C ~ +50°C
Operating Humidity:	0% - 95% RH
Ingress Protection:	IP66
Approvals:	CE / FCC
Weight:	650g