

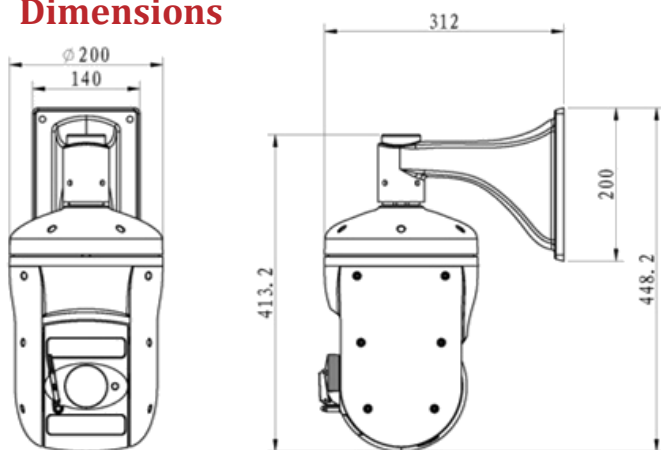
Day Night PTZ Camera (AHD)



Product Features

- Sony Exmor chipset
- Image resolution: 1920 x 1080
- Advanced H.264 compression, dual stream
- 4.7-94mm motorised lens with 20x optical zoom and 12x digital zoom
- Auto-adapting IR (15-48°), IR range 85-90m
- ICR, HLC, dWDR, DNR, BLC (auto)
- Auto/manual focus & iris
- Pan rotation 0.4-240° /sec, 360degree
- Tilt rotation 0.4-120°/sec, 90degree, Auto Flip
- Programme 220 preset position, 3 tours
- IP66 rated
- TVS 4,000V lightning protection, surge protection and voltage transient protection

Dimensions



Accessories



SD86-C



SD86-P



KEYB-85-3

Camera Specification	
Model	AHD1080-SD86-20IR
Camera	
Image Sensor:	Sony Exmor CMOS (1/2.8")
Resolution:	2.38MP
Effective Pixels (H x V):	2200 x 1125
TV System:	PAL / NTSC
Shutter Speed:	1/60-1/50000
Signal-to-noise Ratio:	≥50dB
Iris:	Electronic
Back Light Compensation:	Auto
Wide Dynamic Range:	dWDR
Digital Noise Reduction:	2D/3D
Gain Control:	Auto
Sync Mode:	Internal
White Balance:	Auto/Manual
Lens:	Vari-focal 4.7-94mm 20x Optical and 12x Digital
Field of View:	55.4°~ 2.9°
Up-the-Coax Control:	N/A
Scanning:	Progressive Scan
Day/Night	
Day & Night:	IR Cut Filter (Smart IR)
Minimum Illumination:	Colour 1.0 Lux, B&W 0.05 Lux
Infrared LEDs:	Auto adapting IR
IR Range:	85-90m
IR Status:	Below 10 Lux by CDS
IR Control:	CDS Auto
General	
Power:	24vAC (+-10%), 2A
Housing:	Metal
Operating Temperature:	-20°C ~ +60°C
Operating Humidity:	0% - 95% RH
Ingress Protection:	IP66 / TVS4000V
Approvals:	CE / FCC
Weight:	9.5kgs