

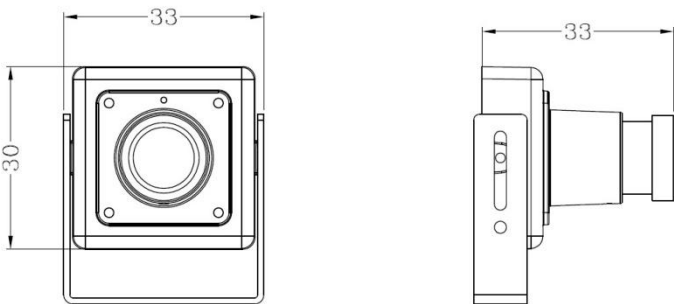
Mini Square Camera



Product Features

- Sony chipset
- Image Resolution: 1920 x 1080 pixels
- Advanced H.264 compression, dual stream
- Day / Night operation (Auto)
- Illumination: 0.1 Lux (Colour)
- 3.7mm fixed-focal pinhole lens
- dWDR, DNR, BLC (auto)
- Supports AHD and Analogue
- Internal use only

Dimensions



| Camera Specification | |
|-----------------------------|-------------------------|
| Model | AHD-469P |
| Camera | |
| Image Sensor: | Sony CMOS (1/2.9") |
| Resolution: | 2.1MP |
| Effective Pixels (H x V): | 1920 x 1080 |
| TV System: | PAL / NTSC |
| Shutter Speed: | 1/25s-1/50000 |
| Signal-to-noise Ratio: | ≥50dB |
| Iris: | Electronic |
| Back Light Compensation: | Auto |
| Wide Dynamic Range: | dWDR |
| Digital Noise Reduction: | 2D/3D |
| Gain Control: | Auto |
| Sync Mode: | Internal |
| White Balance: | Auto/Manual |
| Lens: | Fixed 3.7mm Lens |
| Field of View: | 70° |
| Up-the-Coax Control: | Yes |
| Scanning: | Progressive Scan |
| Day/Night | |
| Day & Night: | IR Cut Filter |
| Minimum Illumination: | 0.1 Lux |
| Infrared LEDs: | N/A |
| IR Range: | N/A |
| IR Status: | N/A |
| IR Control: | N/A |
| General | |
| Power: | 12V DC (+/- 10%), 300mA |
| Housing: | Metal |
| Operating Temperature: | -10°C +50°C |
| Operating Humidity: | 0% - 95% RH |
| Ingress Protection: | N/A |
| Approvals: | CE / FCC |
| Weight: | 150g |